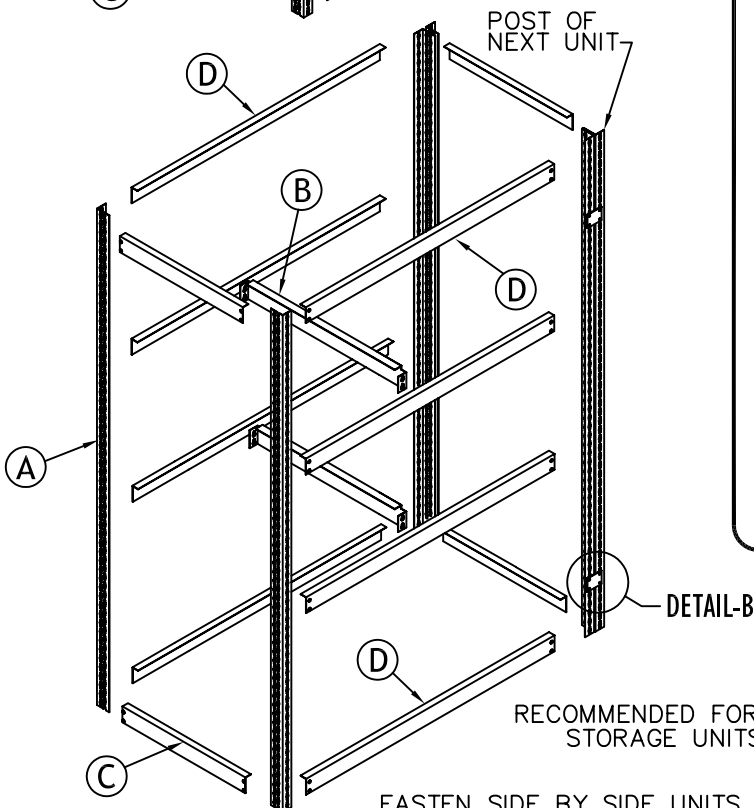
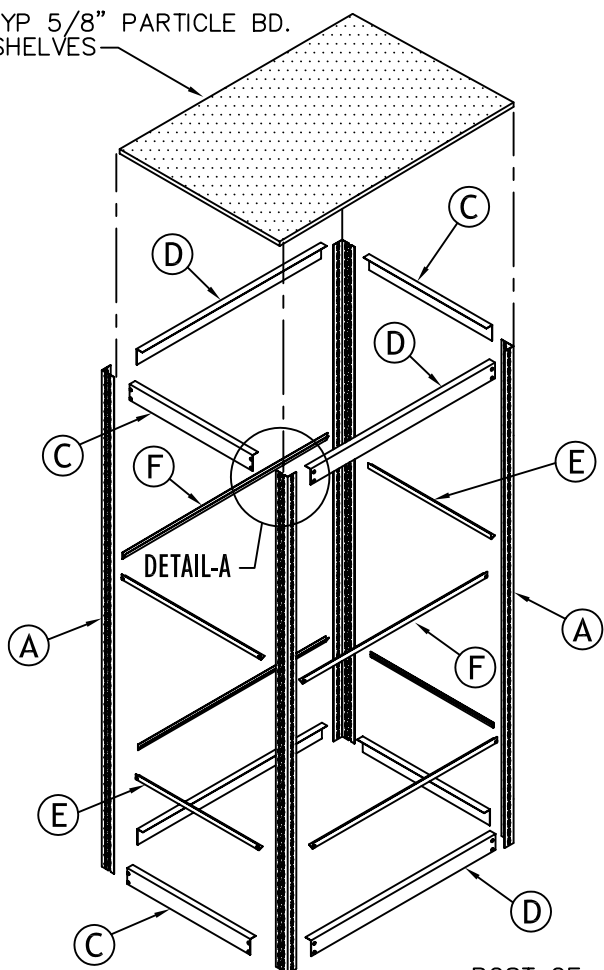
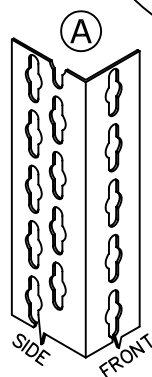
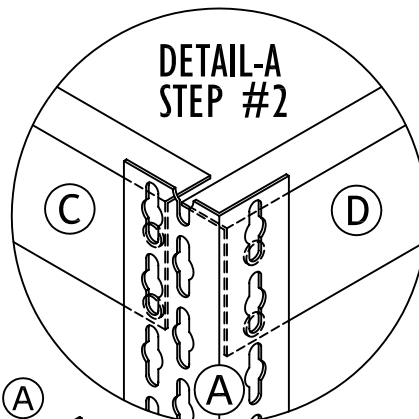
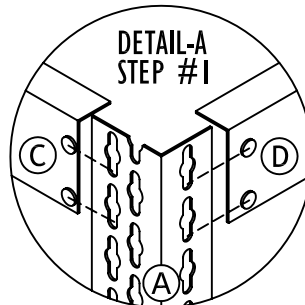




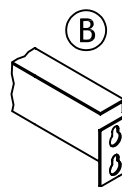
TYP 5/8" PARTICLE BD.
SHELVES



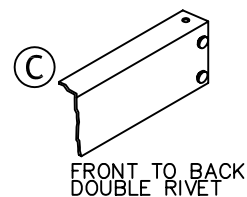
COMPONENT PARTS



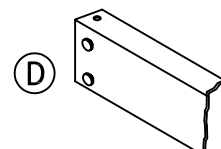
UPRIGHT ANGLE



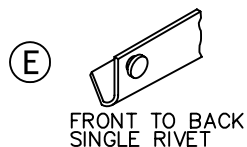
SHELF TIE SUPPORT



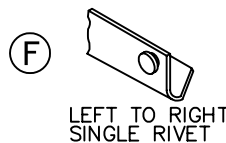
FRONT TO BACK
DOUBLE RIVET



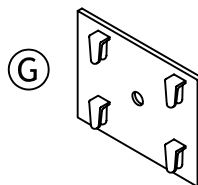
LEFT TO RIGHT
DOUBLE RIVET



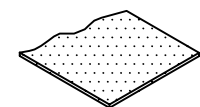
FRONT TO BACK
SINGLE RIVET



LEFT TO RIGHT
SINGLE RIVET



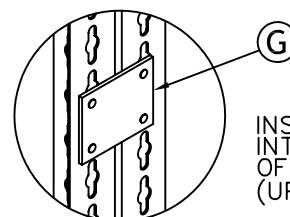
TIE PLATE



SHELF MATERIAL
5/8" PARTICLE BOARD

NOTE:

1. ALL SHELVING COMPONENTS INSERT INTO SLOTS OF POST AND MUST BE SEATED INTO BOTTOM OF SLOT WITH A Mallet OR HAMMER.
2. ALL RIVET CONNECTIONS FROM INSIDE UPRIGHTS.
3. NOTE RIVET LOCATION DIFFERENCE BETWEEN FB=C AND LR=D
4. FRONT TO BACK SINGLE RIVET (FBSR) SHELF SUPP. REQUIRED ON INTERMEDIATE SHELVING 30 OR MORE INCHES DEEP



DETAIL-B

INSERT TIE PLATE INTO SLOTS ON FACE OF POSTS. (UPRIGHT ANGLE)