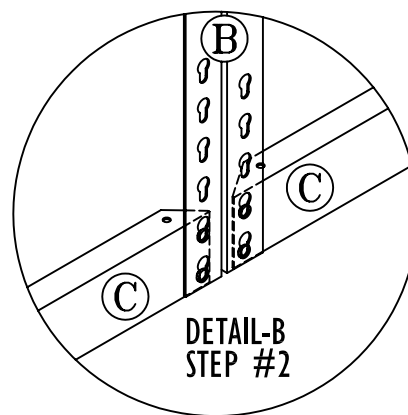
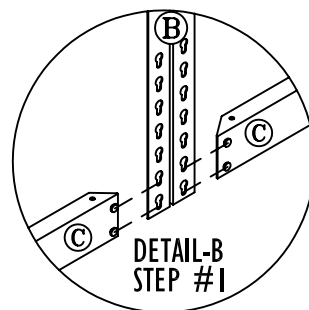
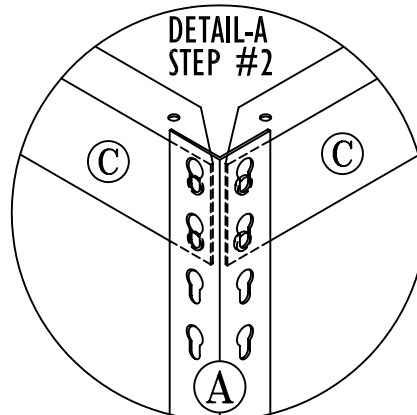
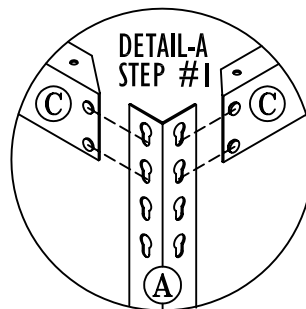
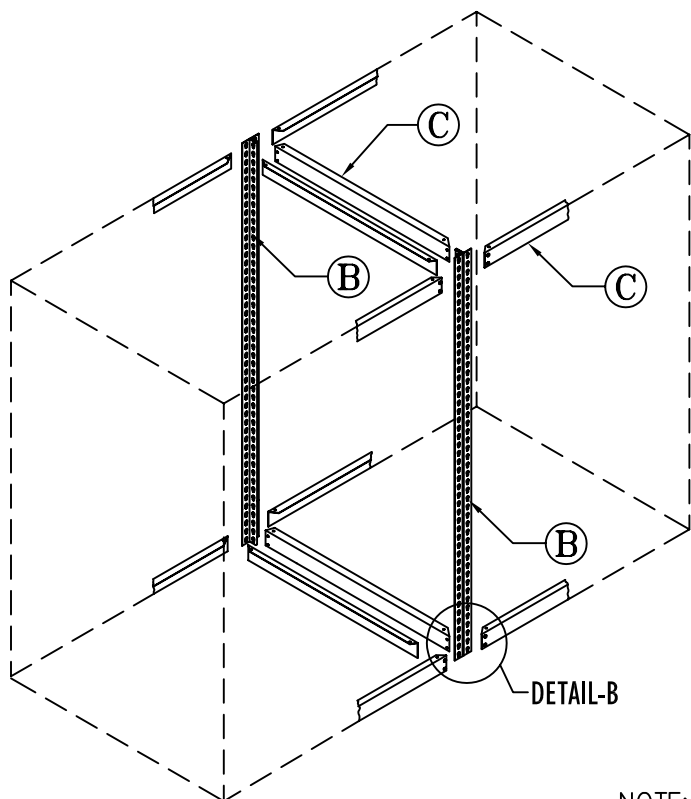
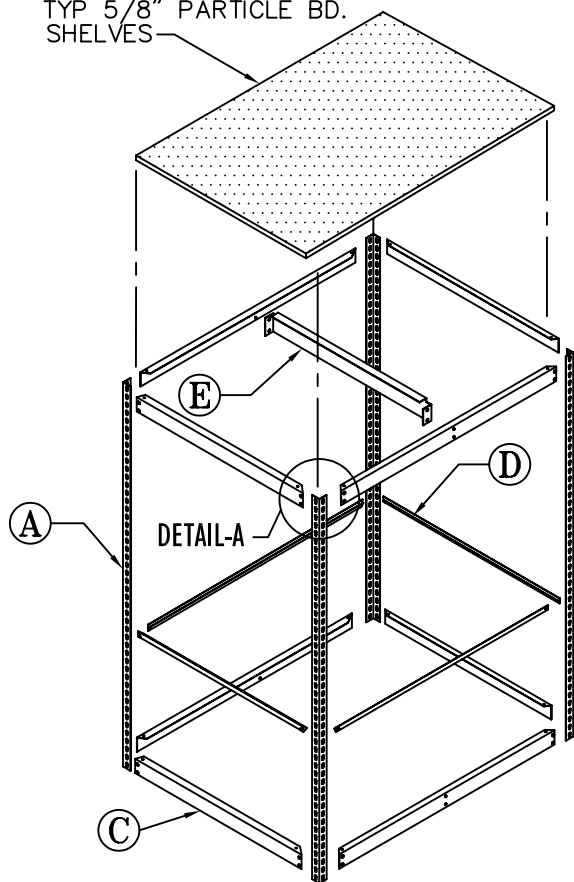




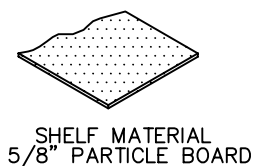
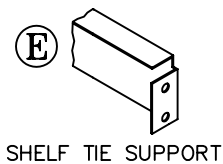
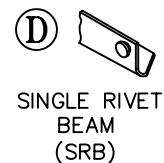
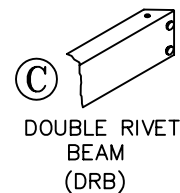
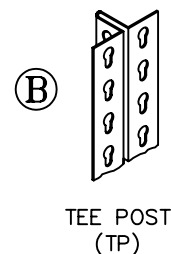
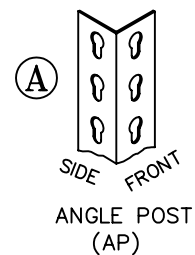
SHELF MASTER, INC.

ASSEMBLY INSTRUCTIONS RAPID RACK

TYP 5/8" PARTICLE BD.
SHELVES



COMPONENT PARTS



NOTE:
ALL SHELVING COMPONENTS
INSERT INTO SLOTS OF POST
AND MUST BE SEATED INTO
BOTTOM OF SLOT WITH A
MALLET OR HAMMER.

NOTE:
SPACE SAVER SHELVING 12"-18" DEEP USE 1-DRB AT
TOP AND 1-DRB AT BOTTOM IN EACH FRAME.