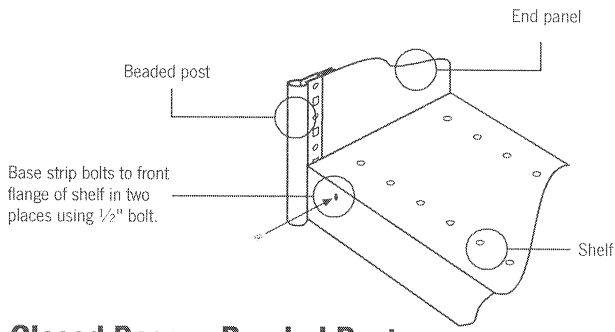
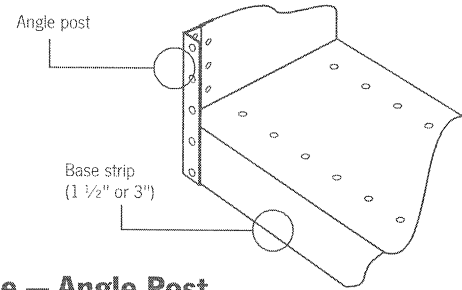


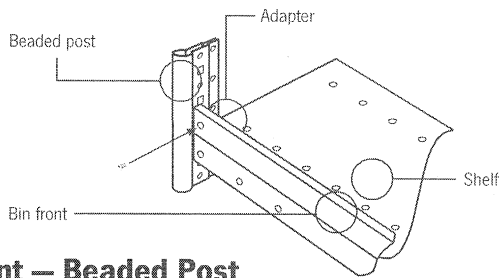
# Component Assembly



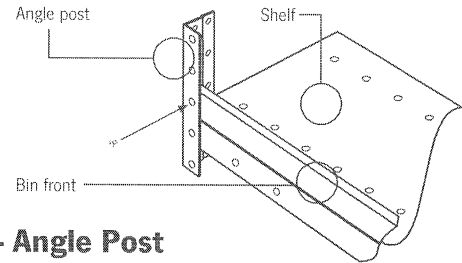
**Closed Base — Beaded Post**



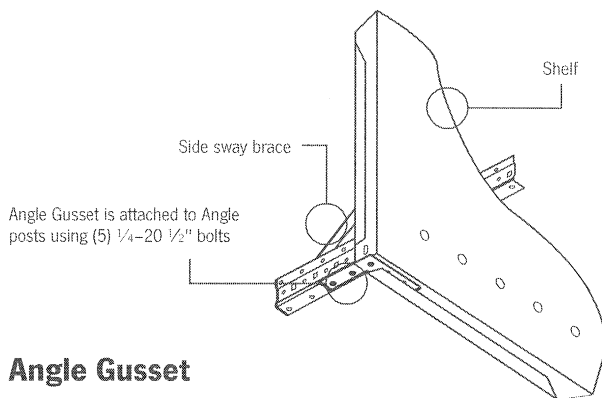
**Closed Base — Angle Post**



**Bin Front — Beaded Post**



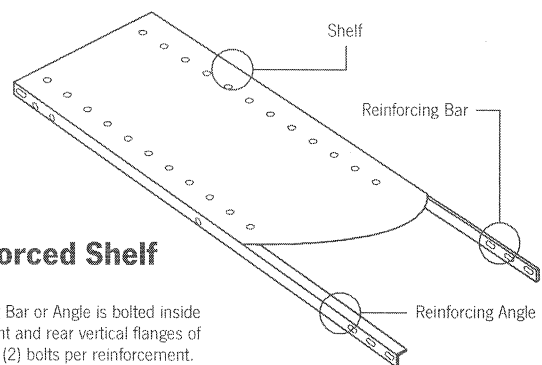
**Bin Front — Angle Post**



**Angle Gusset**

Angle Gussets may be used to replace back sway braces in light-duty applications. Use gussets on top, bottom, and one intermediate shelf (12 gussets needed per unit).

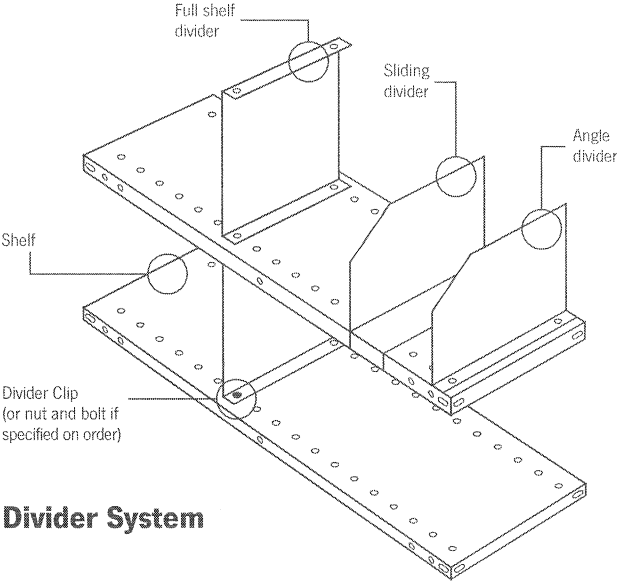
Gussets are for use with Angle posts only and are not recommended for units over 97" high.



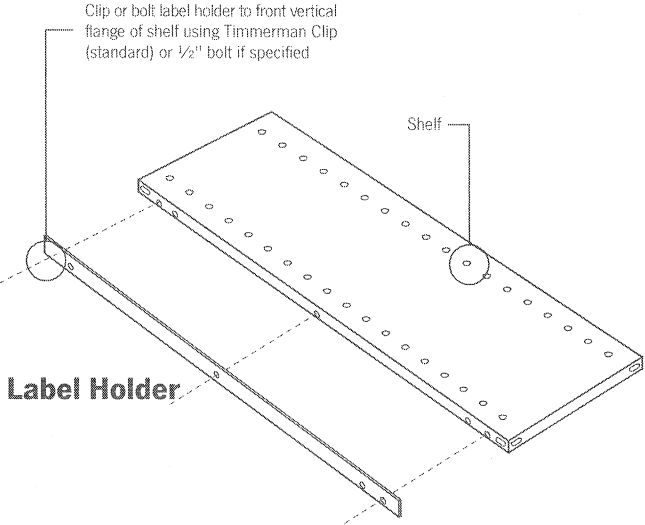
**Reinforced Shelf**

Reinforcing Bar or Angle is bolted inside front or front and rear vertical flanges of shelf using (2) bolts per reinforcement.

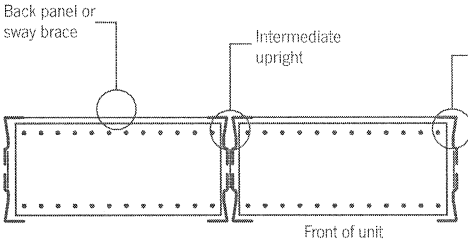
# Component Assembly



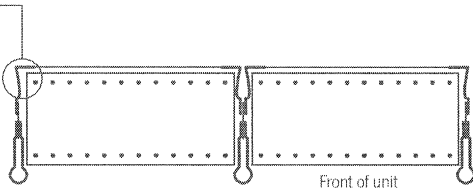
**Divider System**



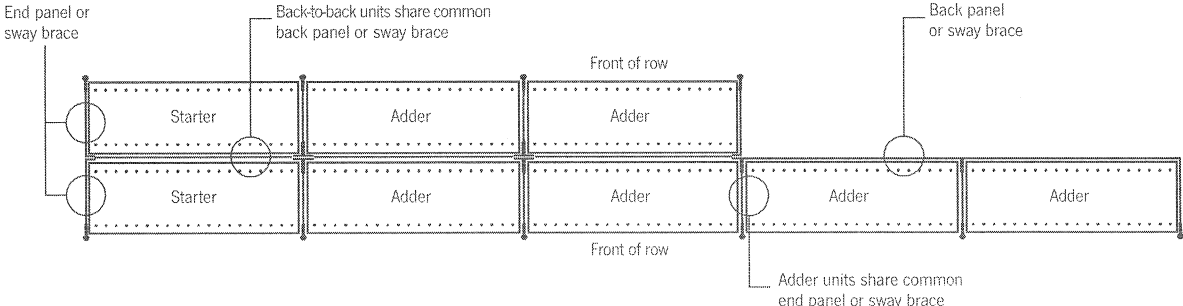
**Label Holder**



**Angle Post Unit**



**Beaded or Delta Post Unit**



**Typical Floor Plan**